

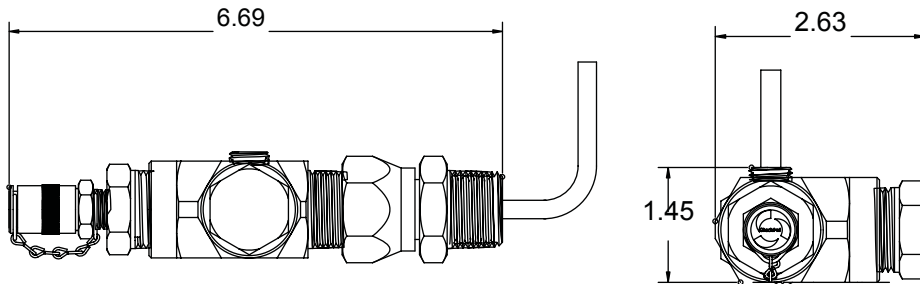
AD Series Drain Mount Kit Options



- Sample ✓
- Sight ✓
- Drain ✓

Drain port accessory options for splash lubricated gearboxes and bearing housings.

- Combination tee delivers sampling, sight and drain capability from the same port.
- LT or BT Series sampling tube provides representative, repeatable sampling.
- Sample active lubricant at operating temperature and condition.
- Drain, flush or filter using the built-in plug or optional quick disconnect coupling.
- Add a 3, 6, 9 or 12 inch liquid level gauge for easy viewing and proper maintenance of oil level. Optional vent assembly allows connection of tubing to desiccant breather mount.
- Optional swivel port adapter allows for bent tube installations and easy tee orientation.

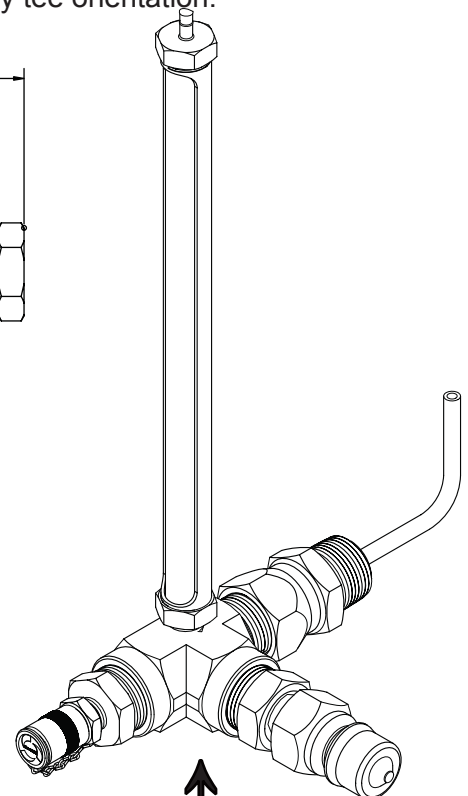


Part #	Base: Male Run Tee, NPTF & Side Port
AD4N**	Male Run Tee 1/4"
AD4NR**	Male Run Tee 1/4" Stainless Steel 316
AD6N**	Male Run Tee 3/8"
AD6NR**	Male Run Tee 3/8" Stainless Steel 316
AD8N	Male Run Tee 1/2"
AD8NR	Male Run Tee 1/2" Stainless Steel 316
AD12N	Male Run Tee 3/4"
AD12NR	Male Run Tee 3/4" Stainless Steel 316
AD16N	Male Run Tee 1"
AD16NR	Male Run Tee 1" Stainless Steel 316
AD20N	Male Run Tee 1 1/4"
AD20NR	Male Run Tee 1 1/4" Stainless St. 316

** No side port available.

ADXXN-XXXX Custom Build Kits (See next page)

* Call for availability



Call for custom installations
See next page for options



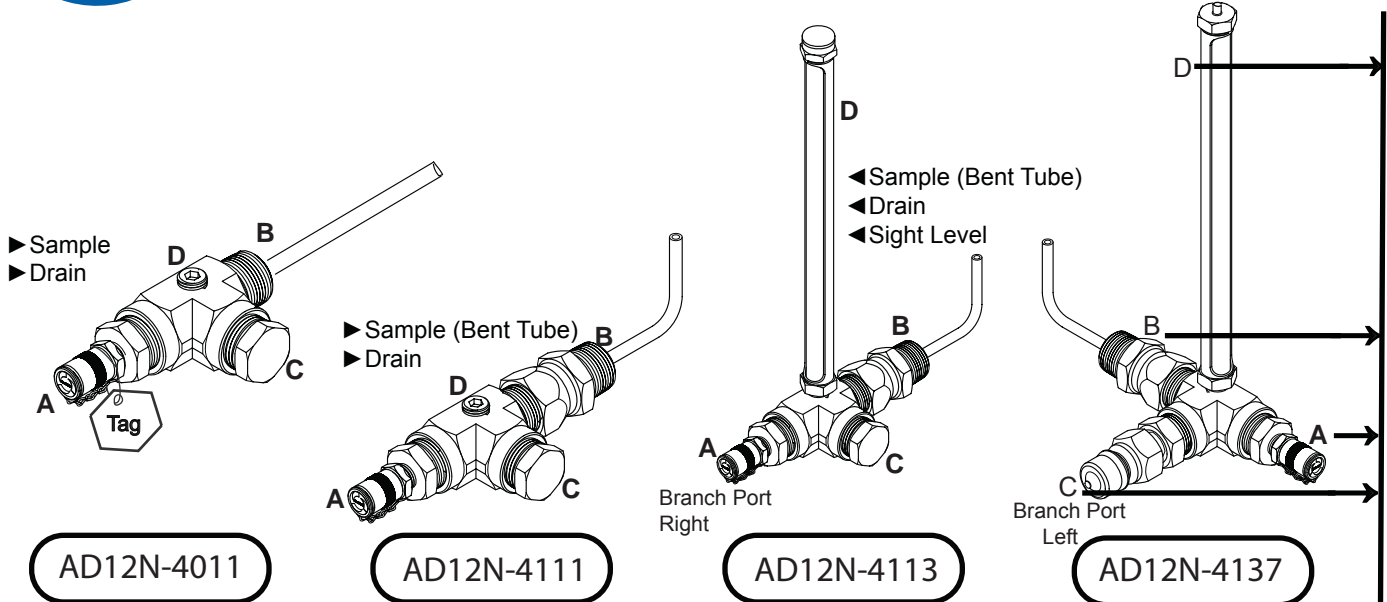
www.checkfluid.com

Checkfluid Inc.
116-4096 Meadowbrook Drive
London, ON, N6L 1G5
Toll Free: 1-866-652-8728
Fax: 519-652-0392

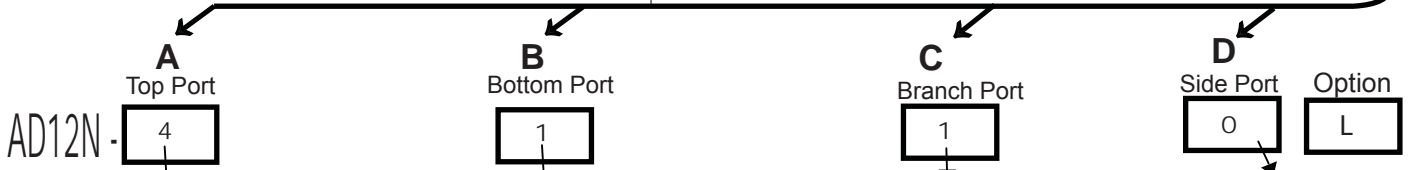


AD Series Drain Mount Options:

Combination Examples for 3/4" NPTF Pipe:



ORDERING CODE INFORMATION: DRAIN MOUNT KIT



0	None	
1	12N	Plug 3/4" NPT Fem
2	12N-16NF	3/4" NPT to 1" NPT Fem
3	D3	Desiccant Breather Filter
4	L12NT18	LT Valve, 3/4" NPT, 18" tube
5	B12NTR24	BT Valve, 3/4" NPT, 24" SS Tube
6	QB8-12N	3/4" NPT Male w/ 1/2" NPT ISO B Cplg
7	QB12-12N	3/4" NPT Male w/ 3/4" NPT ISO B Cplg
8	QA8-12N	3/4" NPT Male w/ 1/2" NPT ISO A Cplg
9	L12NTR24	LT Valve, 3/4" NPT 24" SS Tube

0	None	
1	12N-12NFS	3/4" NPT Male w/ 3/4" NPT Fem Swivel
2	12NF-FLG	3/4" NPT Male to 6 Bolt Flange
3	8N-12NFS	1/2" NPT Male to 3/4" NPT Fem Swivel
4	16U-12NFS	1 5/16" ORB Male to 3/4" NPT Fem Swivel
5	12U-12NFS	1 1/16" ORB Male to 3/4" NPT Fem Swivel

0	None	
1	12N	Plug, 3/4" NPT Fem
2	LS12NTR24	LT Valve, 3/4" NPT, 24" SS Tube, 90 degree
3	QB12-12N	3/4" NPT Male w/ 3/4" NPT ISO B Cplg
4	QB8-12N	3/4" NPT Male w/ 1/2" NPT ISO B Cplg
5	QA8-12N	3/4" NPT Male w/ 1/2" NPT ISO A Cplg
6	LS12NT24	LT Valve, 3/4" NPT, 24" Tube, 90 degree

0	None	No side port
1	4N-1	Side port + plug
2	GL3	Level Gauge 3"
3	GL6	Level Gauge 6"
4	GL9	Level Gauge 9"
5	GL12	Level Gauge 12"
6	GLV3	GL3 w/ vent kit
7	GLV6	GL6 w/ vent kit
8	GLV9	GL9 w/ vent kit
9	GLV12	GL12 w/ vent kit

OR Select an alternate LT or BT Sampling Tube*
 * Call for availability
 ** No side port available.

Option

- For branch left side port add L
- For double side ports add B (Eg. AD8N-XXXXB)



www.checkfluid.com

Checkfluid Inc.
 116-4096 Meadowbrook Drive
 London, ON, N6L 1G5
Toll Free: 1-866-652-8728
Fax: 519-652-0392