

Magnum™ 5 Core 2" Process Unit

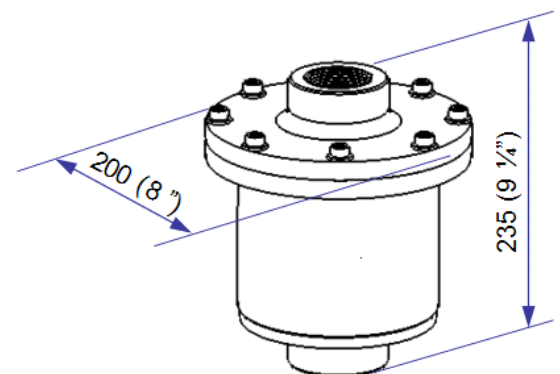
TECHNICAL SPECIFICATIONS

Part Number (Aluminium Alloy)	IL 137 05 S U 2" BSPP
	IL 137 05 S U 2" NPT
	(Stainless Steel) IL 137 05 S U ST 2" BSPP
	IL 137 05 S U ST 2" NPT
Mounting Method	In-line
Port Connection	2" BSPP / 2" NPT Female
Flow Direction	Bi-directional
Construction Materials	
Housing	IL 137 05 S U Aluminium Alloy BS 1474 Alloy 6082TF
	IL 137 05 S U ST Austenitic Stainless Steel
Mandrel	IL 137 05 S U Aluminium Alloy BS 1474 Alloy 6082TF
	IL 137 05 S U ST Austenitic Stainless Steel
Flux Plate	IL 137 05 S U Mild Steel CR4 Chemically blacked
Flux Plate	IL 137 05 S U ST Ferritic Stainless Steel
Magnet	Ferrite C5/C8
C-Clip	Austenitic Stainless Steel
O-ring	Viton
Fastener Material	Carbon Steel Gr 8.8
Housing Pressure & Temperature Rating	
Max. Operating Pressure:	17 barg (246 psig)
Burst Pressure	50 barg (725 psig)
Max. Temperature	120°C (248°F)
Approx. Contaminant Holding Capacity	1 kg (2 lb 3/4 oz)
Fluid Compatibility	Compatible with a wide range of petroleum oils, synthetic fluids, coolant, cutting oils, hydraulic fluids, lubricating fluids, water, aqueous & process fluids.
Unit Weight	
IL 137 05 SU	8.2kg (18 lb 1 oz)
IL 137 05 SU ST	13kg (28 lb 10 oz)
Each process unit comes with a separate eye bolt for easy removal of the core.	
Available Spares	Body seal kit, Magnum™ core, Eye Bolt, Allen key.

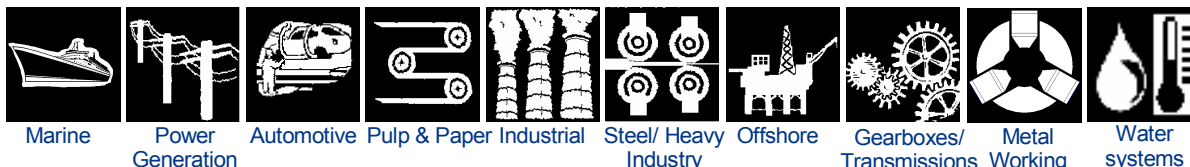


FEATURES & BENEFITS

- ◆ This is a small 5 core process unit that still maintains a high contaminant holding capacity, making it the ideal choice for applications with a reduced space envelope and for applications with lower levels of contamination or where an extended service interval design is not necessary.
- ◆ Outstanding results from the installation of this unit have been achieved in diverse applications such as: metal working processes, transmissions, central lubrication systems, central heating systems.
- ◆ High energy, high efficiency, a must for high viscosity transmission lubes.



APPLICATIONS



MAGNUM™

Innovation Centre, Warwick Technology Park, Gallows Hill, Warwick CV34 6UW UK

The company reserves the right to alter specification without prior notice.

© Fluid Conditioning Systems Ltd – 2006; Issue: [EU010920063]

"Magnum", "Magnum The Ferrous Eliminator", "Magnum Process Unit" are trademarks or registered trademarks of Fluid Conditioning Systems Ltd

www.magnum.com

sales@magnum.com