



## Magnum™ Inline Process Unit

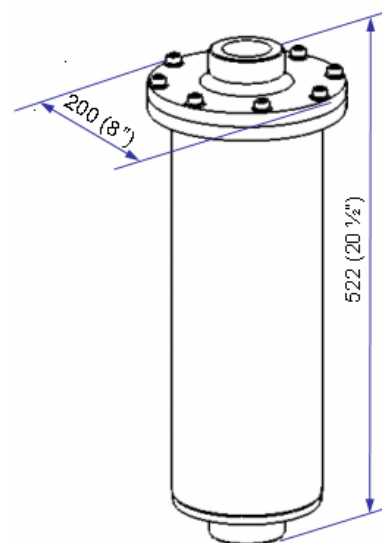
### TECHNICAL SPECIFICATIONS

<b>Part Number</b>	
Standard Flux Plates	IL 137 20 S U 2" BSPP
Stainless Steel Flux Plates	IL 137 20 S U 2" BSPP ST
Standard Flux Plates	IL 137 20 S U 2" NPT
Stainless Steel Flux Plates	IL 137 20 S U 2" NPT ST
<b>Mounting Method</b>	
In-line	
<b>Port Connection</b>	
2" BSPP / 2" NPT Female	
<b>Flow Direction</b>	
Bi-directional	
<b>Construction Materials</b>	
Housing	Aluminium Alloy BS 1474 Alloy 6082TF
Mandrel	Aluminium Alloy BS 1474 Alloy 6082TF
Flux Plate (Standard)	Mild Steel CR4 Chemically blacked
Flux Plate (Optional)	Ferritic Stainless Steel 430
Magnet	Ferrite C5/C8
C-Clip	Spring Steel
O-ring	Viton
Fastener Material	Carbon Steel Gr 8.8
<b>Housing Pressure &amp; Temperature Rating</b>	
Max. Operating Pressure:	17 barg (246 psig)
Burst Pressure	50 barg (725 psig)
Max. Temperature	120°C (248°F)
<b>Approx. Contaminant Holding Capacity</b>	
4 kg (8 lb 12 oz)	
<b>Fluid Compatibility</b>	
Compatible with a wide range of petroleum oils, synthetic fluids, coolant, cutting oils, hydraulic and lubricating fluids	
<b>Unit Weight</b>	
25kg (55 lb)	
Each process unit comes with a separate eye bolt for easy removal of the core.	
<b>Optional Extras</b>	
Large Cleaning cabinet IL 128 22 CABINET 240 V	
<b>Available Spares</b>	
Body seal kit, Magnum™ core, Eye Bolt, Allen key.	

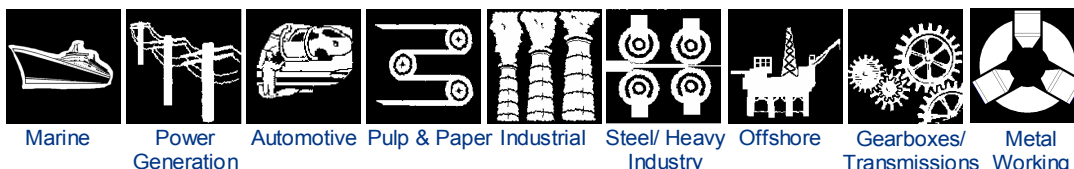


### FEATURES & BENEFITS

- ◆ This large unit with high contaminant holding capacity makes it the ideal choice for high contaminant environments that require a design for extended service intervals.
- ◆ Outstanding results from the installation of this unit have been achieved in diverse applications such as: metal working processes, large transmissions, central lubrication systems, and removal of rust and magnetite in large water systems along with many others.



### APPLICATIONS



**Magnum™**

Innovation Centre, Warwick Technology Park, Gallows Hill, Warwick CV34 6UW UK

The company reserves the right to alter specification without prior notice.

© Fluid Conditioning Systems Ltd – 2006; Issue: [EU240420062]

"Magnum", "Magnum The Ferrous Eliminator", "Magnum Process Unit" are trademarks or registered trademarks of Fluid Conditioning Systems Ltd

[www.magnum.com](http://www.magnum.com)

[sales@magnum.com](mailto:sales@magnum.com)