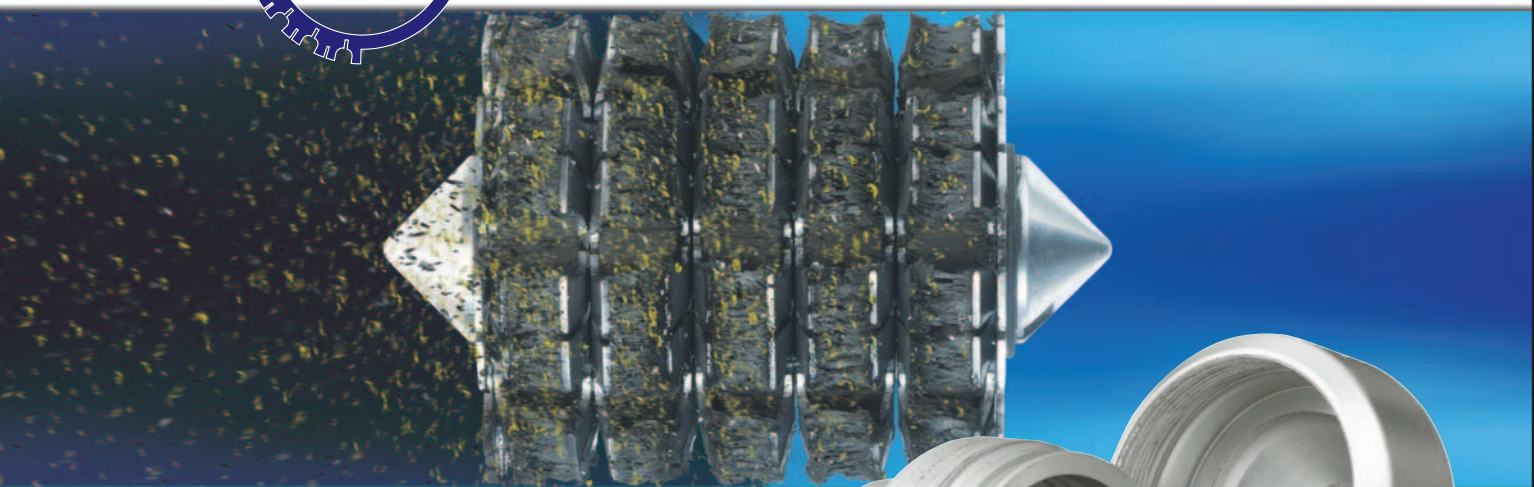
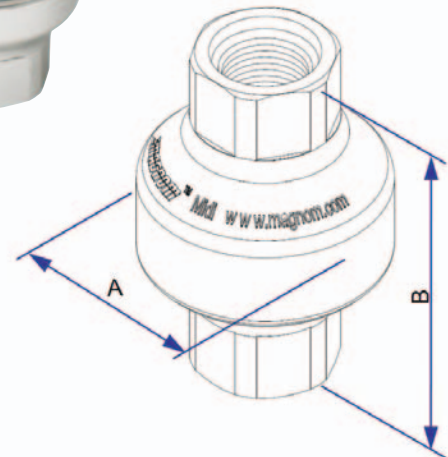


# MAGNOM: Stop the Chain Reaction of Wear



<b>MOUNTING METHOD</b>	IN-LINE
<b>FLOW DIRECTION</b>	BI-DIRECTIONAL
<b>CONSTRUCTION MATERIALS</b>	
Housing	Aluminum Alloy
Mandrel	Aluminum Alloy
Flux Plate	Mild Steel
Magnet	Ceramic Ferrite
C-Clip	Steel
O-ring	Viton
Back up -ring	PTFE
<b>HOUSING PRESSURE AND TEMPERATURE RATING</b>	
Max. Operating Pressure	1500 psig (104 barg)
Burst Pressure	6000 psig (414 barg)
Max. Temperature	248°F (120°C)
<b>FLUID COMPATIBILITY</b>	Compatible with a wide range of mobile hydraulic and lubricating fluids, petroleum oils, synthetic fluids, water-glycols, water emulsions.
<b>MAX. OPERATING PRESSURE</b>	1500 psig (104 barg)
<b>BURST PRESSURE</b>	Mini - 10,000 psig (695 barg) Midi - 7000 psig (485 barg) Max - 6000 psig (415 barg)
<b>MAX. OPERATING TEMP.</b>	248°F (120°C)



<b>UNIT WEIGHT &amp; DIMENSIONAL INFORMATION</b>					
<b>PART NUMBER</b>	<b>UNIT</b>	<b>UNIT WEIGHT</b>	<b>(A)</b>	<b>(B)</b>	<b>PORT CONNECTIONS</b>
525201000	Mini Unit	8oz (210g)	1 7/8" (48mm)	3" (78mm)	SAE -8
530201000	Midi Unit	1 lb 2oz (480g)	2 7/8" (73mm)	3 7/8" (98mm)	SAE -12
570201000	Max Unit	2 lb 10oz (1170g)	4 1/4" (108mm)	4 1/4" (107mm)	SAE -20